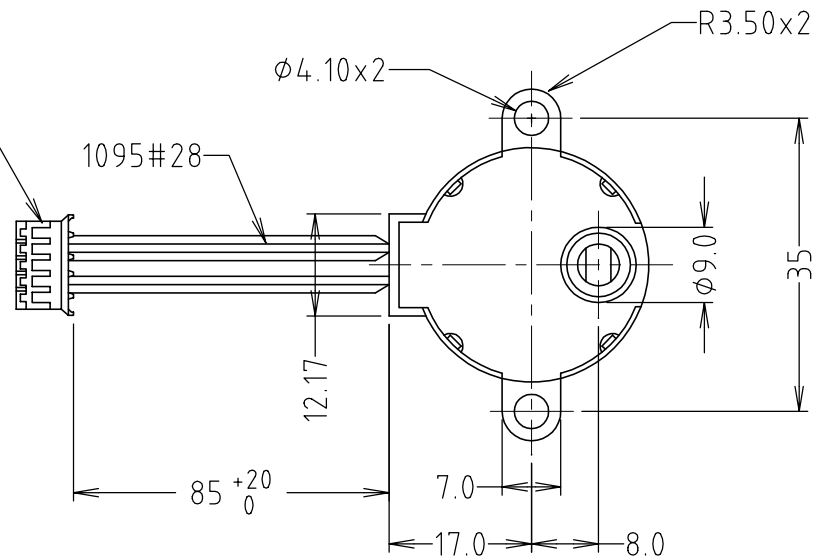


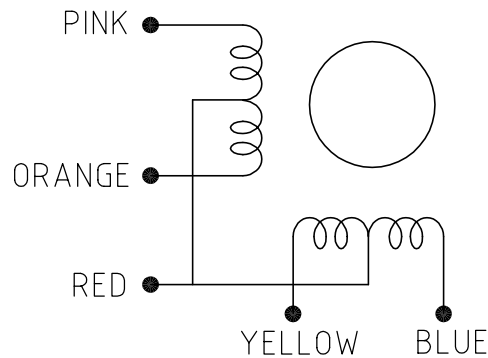
ISS.	AMEND	DATE
1	ISSUED	07/06/13

TERMINAL: JST SPH-002T-P0.5S
HOUSING: JST PHR-5



COMMON DATA:

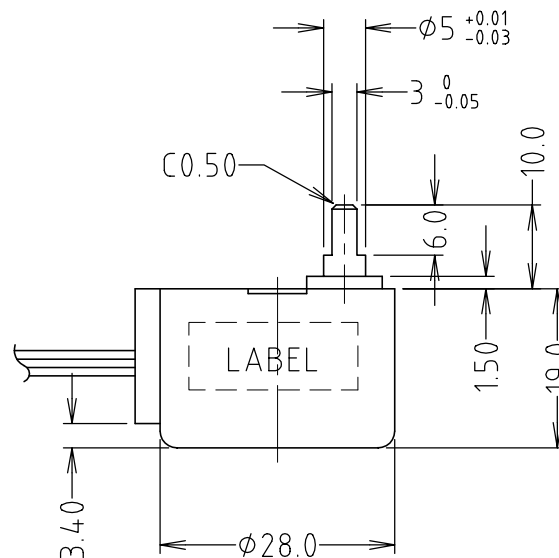
STEP ANGLE: 5.625/11.25
GEAR RATIO: 1:64
MIN DETENT TORQUE: 310gm-cm
MAX STARTING PULSE RATE: 700pps
MAX SLEWING PULSE RATE: 1400pps
TEMP RISE: 50° MAX.
NOISE: 34dB MAX.
CURRENT: 12V. 32mA OR 5V. 71mA
PACKED IN INDIVIDUAL BOX, WITH RS LABEL



1-2 PHASE EXCITATION. UNIPOLAR DRIVE

WIRE SEQUENCE	WIRE COLOUR	1	2	3	4	5	6	7	8
1	RED	+	+	+	+	+	+	+	+
2	ORANGE	-	-						-
3	YELLOW								
4	PINK				-	-	-	-	-
5	BLUE			-	-	-			

OUTPUT SHAFT ROTATION CCW



VARIANT 12V 4Ø

MODEL No.	IMPEDANCE Ω	PULL IN TORQUE gm-cm
RS 3007793740	280	380

RoHS
COMPLIANT

TOLERANCE
NO DEC. PLACE ± 0.50
1 DEC. PLACE ± 0.20
2 DEC. PLACE ± 0.10
HOLE Ø ± 0.10
ANGLES ± 1/2°
UNLESS OTHERWISE STATED

Cliff Electronic Components Ltd.

76 Holmethorpe Avenue, Holmethorpe Industrial Estate,
Redhill, Surrey, RH1 2PF, England, UK
Tel: 01737-771375 Fax: 01737-766012 Website: www.cliffuk.co.uk

THE CONTENTS OF THIS DOCUMENT MUST NOT BE COPIED OR DISCLOSED TO A 3rd PARTY WITHOUT WRITTEN PERMISSION OF CLIFF UK. © 2013

DIMENSIONS IN MILLIMETERS UNLESS OTHERWISE STATED. WORK TO DIMENSIONS. REMOVE ALL BURRS. IF IN DOUBT ASK.

MATERIAL: COMPOSITE

FINISH: CLEAN

DRAWN: T.J.O.

APPROVED: D.P.J.

3rd ANGLE PROJECTION:

TITLE: STEPPING MOTOR - CCW

DRWG. No. FMJ7301CHRS

FORM: A4DRWGf

DO NOT SCALE